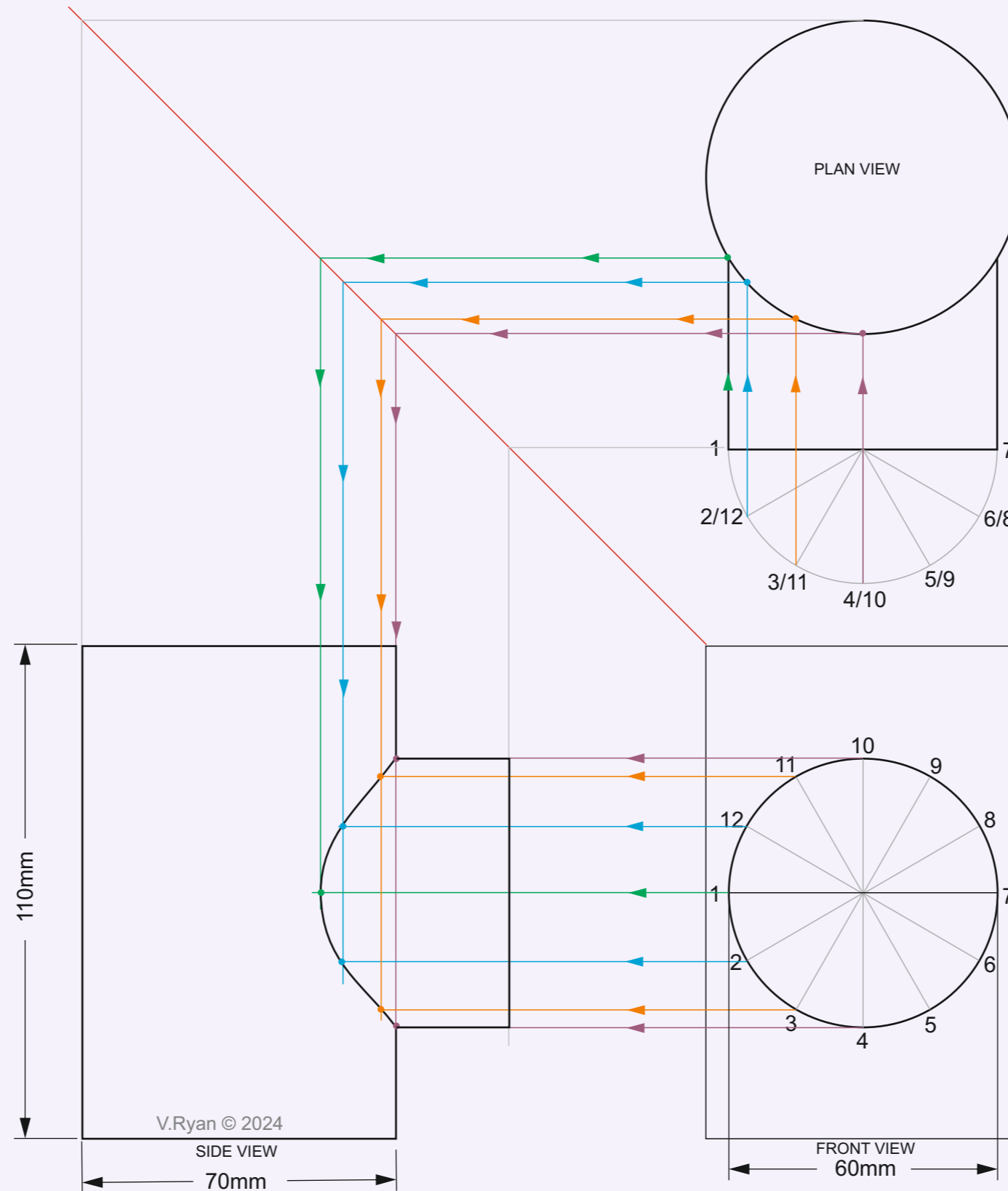


INTERSECTIONS - EXERCISES



INTERSECTIONS - SQUARE PRISMS

HELPFUL LINK: https://technologystudent.com/despro_3/inter1.html

HELPFUL LINK

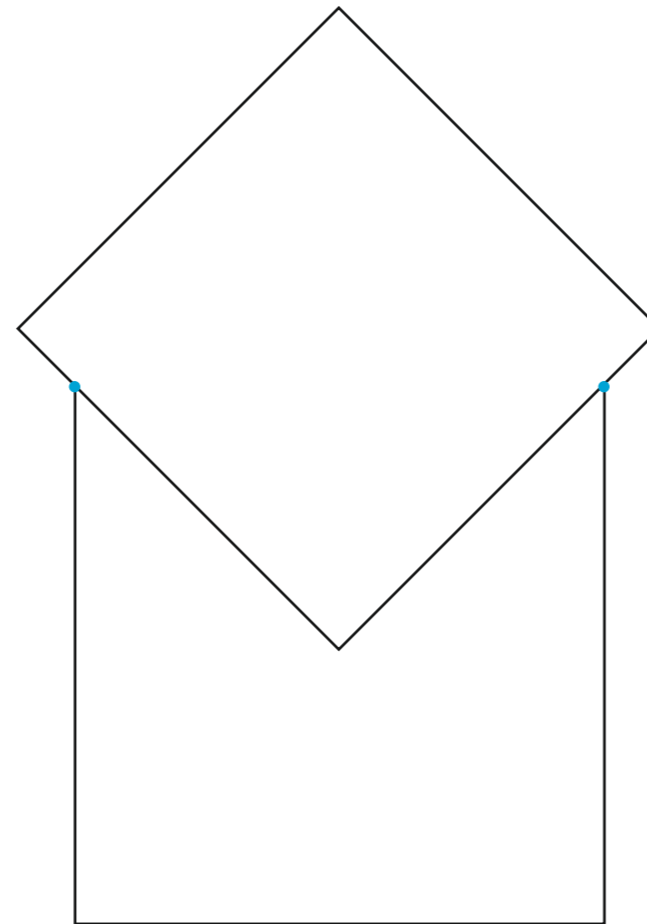
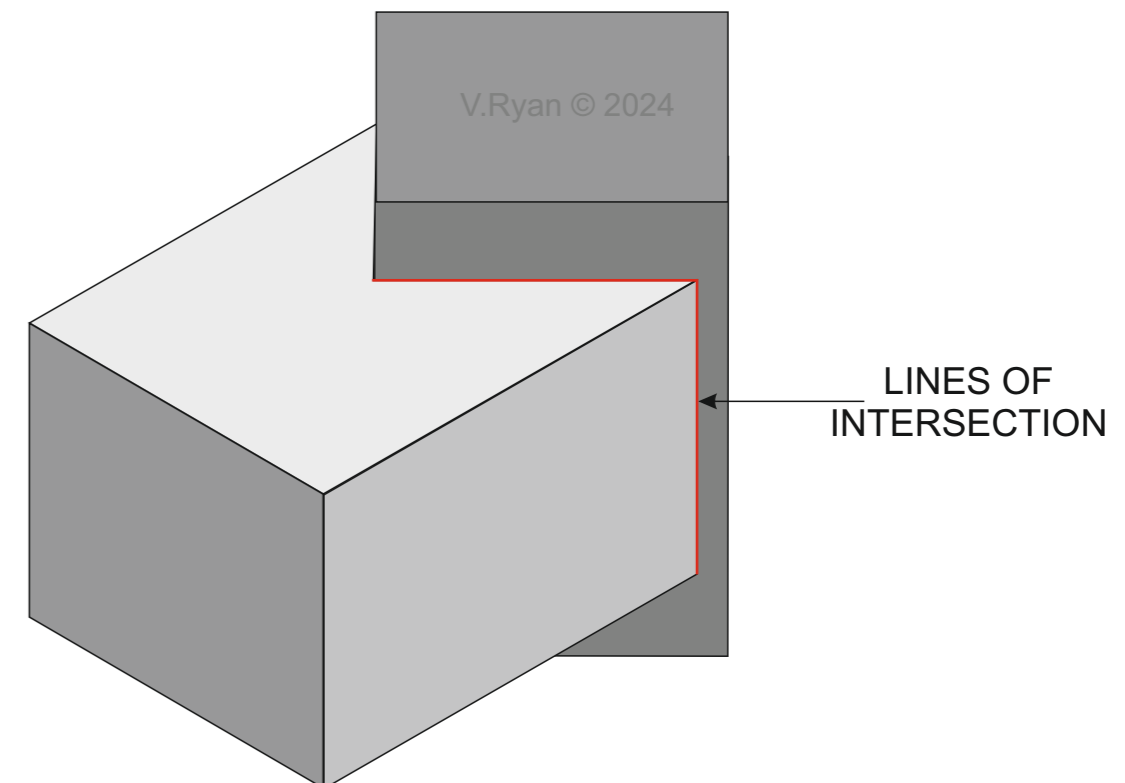


When two 'prisms' intersect, a line or lines of intersection' are created. These are clearly visible on an orthographic and 3D drawing.

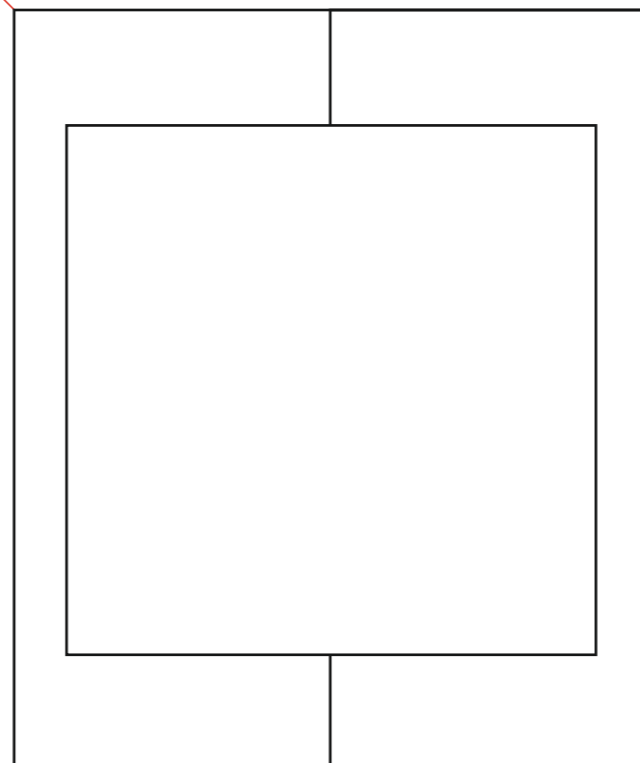
QUESTION

DRAW THE SIDE VIEW OF THE TWO INTERSECTING RECTANGULAR PRISMS. CLEARLY SHOW THE LINE(S) OF INTERSECTION.

3D VERSION



PLAN VIEW



FRONT VIEW

SIDE VIEW

INTERSECTIONS - SQUARE PRISMS

HELPFUL LINK: https://technologystudent.com/despro_3/inter1.html

HELPFUL LINK



When two 'prisms' intersect, a line or lines of intersection' are created. These are clearly visible on an orthographic and 3D drawing.

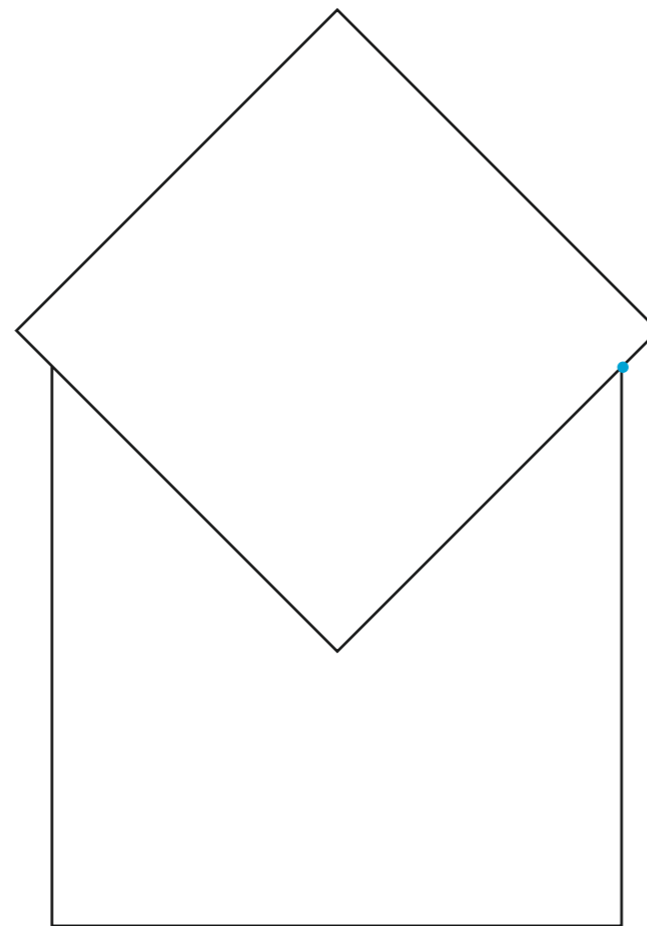
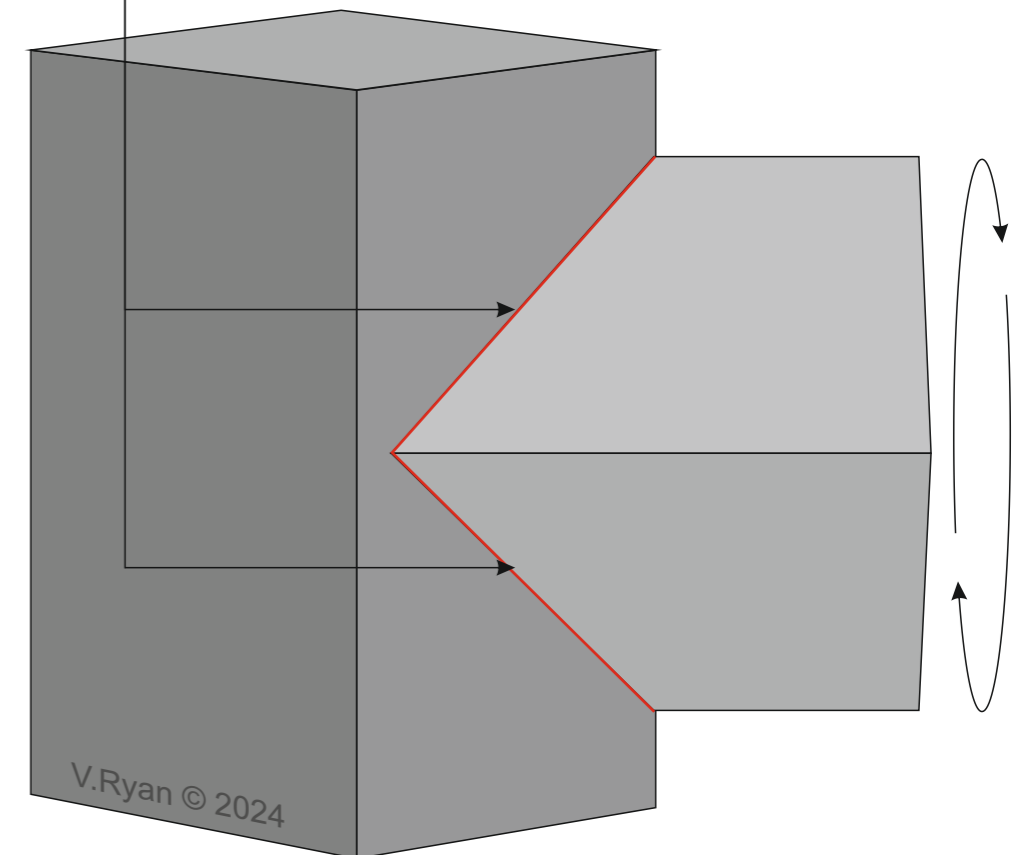
QUESTION

DRAW THE SIDE VIEW OF THE TWO INTERSECTING RECTANGULAR PRISMS. CLEARLY SHOW THE LINE(S) OF INTERSECTION.

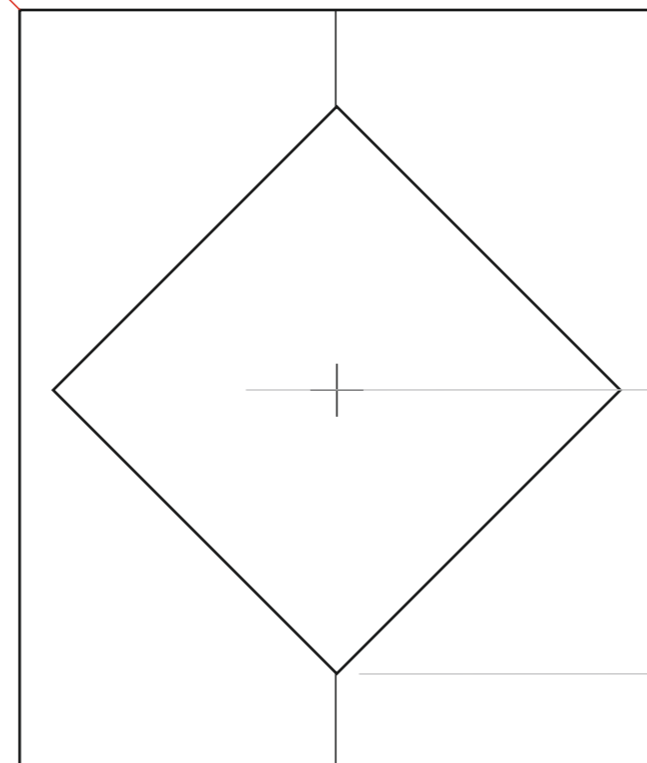
3D VERSION

NOTE: IN THIS QUESTION THE SQUARE PRISM HAS BEEN ROTATED BY 45 DEGREES

LINES OF INTERSECTION



PLAN VIEW



FRONT VIEW

SIDE VIEW

INTERSECTIONS - TRIANGULAR AND HEXAGONAL PRISMS

HELPFUL LINK: https://technologystudent.com/despro_3/inter2.html

HELPFUL LINK

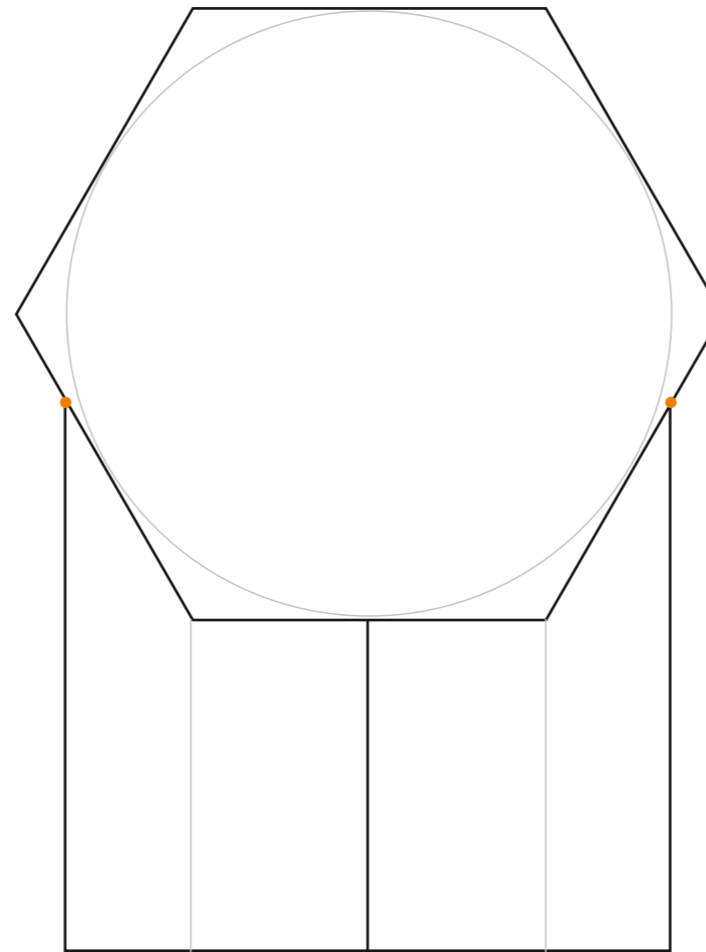
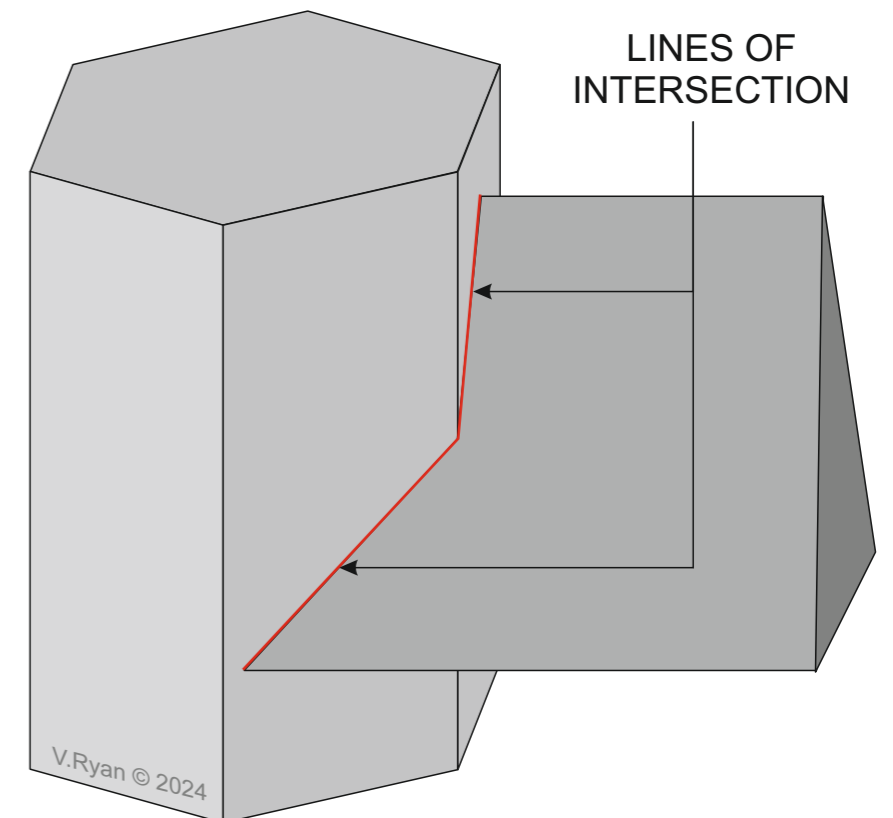


When two 'prisms' intersect, a line or lines of intersection' are created. These are clearly visible on an orthographic and 3D drawing.

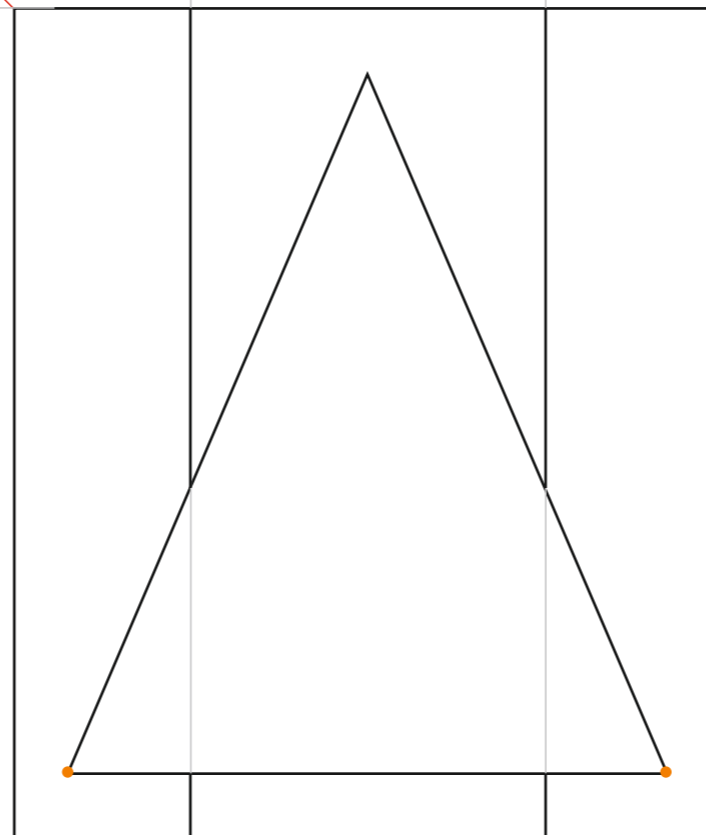
QUESTION

DRAW THE SIDE VIEW OF THE TWO INTERSECTING HEXAGONAL AND TRIANGULAR PRISMS. CLEARLY SHOW THE LINE(S) OF INTERSECTION.

3D VERSION



PLAN VIEW



FRONT VIEW

SIDE VIEW

INTERSECTIONS - TRIANGULAR AND HEXAGONAL PRISMS

HELPFUL LINK: https://technologystudent.com/despro_3/inter2.html

HELPFUL LINK



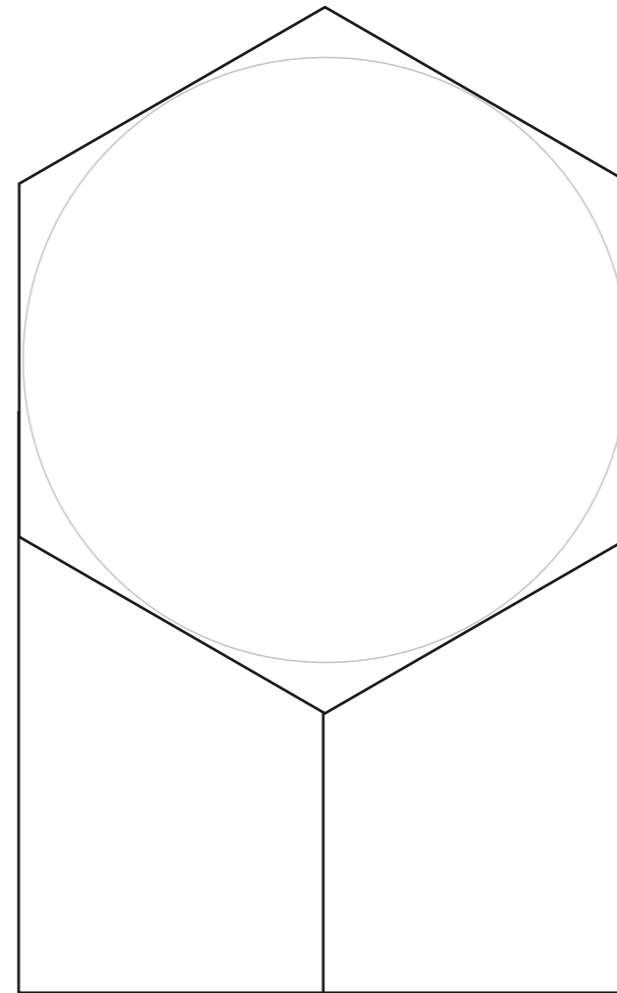
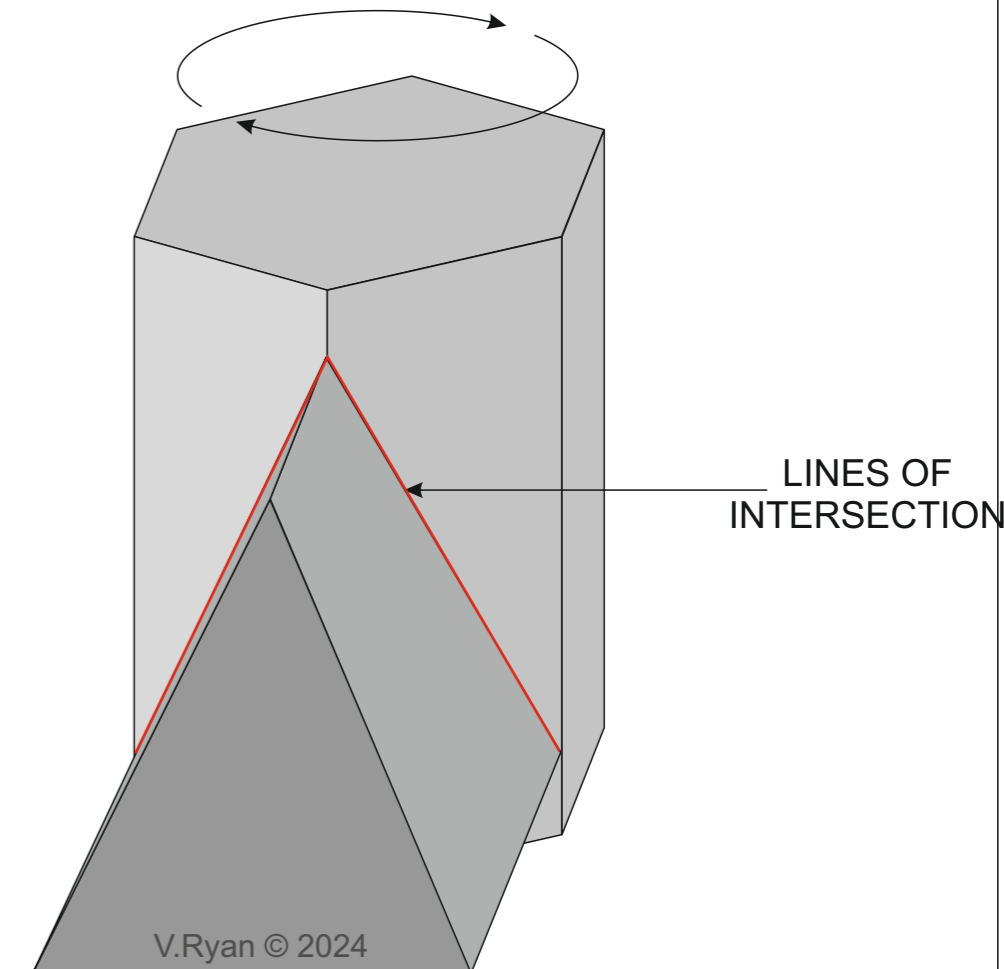
When two 'prisms' intersect, a line or lines of intersection' are created. These are clearly visible on an orthographic and 3D drawing.

QUESTION

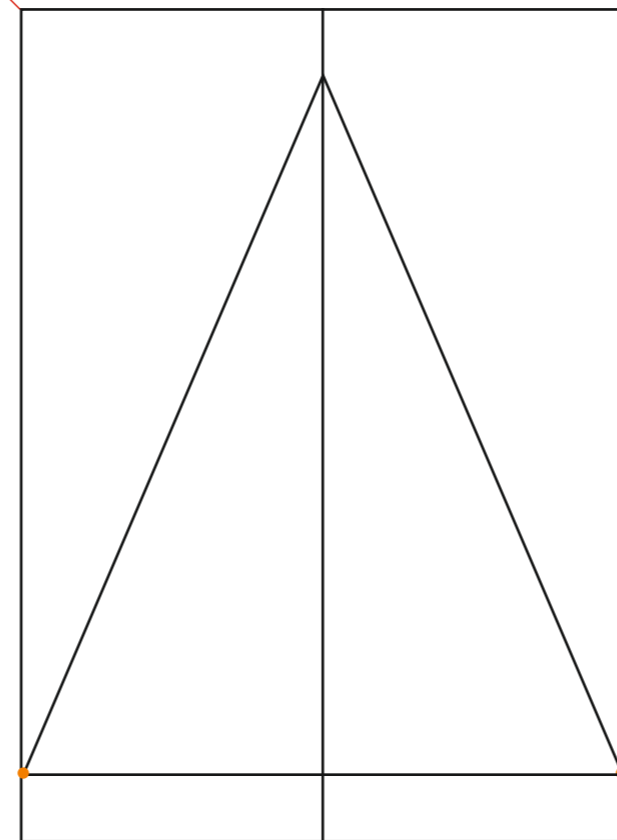
DRAW THE SIDE VIEW OF THE TWO INTERSECTING HEXAGONAL AND TRIANGULAR PRISMS. CLEARLY SHOW THE LINE(S) OF INTERSECTION.

3D VERSION

NOTE: IN THIS QUESTION THE HEXAGONAL PRISM HAS BEEN ROTATED BY 45 DEGREES



PLAN VIEW



FRONT VIEW

SIDE VIEW

INTERSECTIONS - TWO HEXAGONAL PRISMS

HELPFUL LINK: https://technologystudent.com/despro_3/inter5.html

HELPFUL LINK

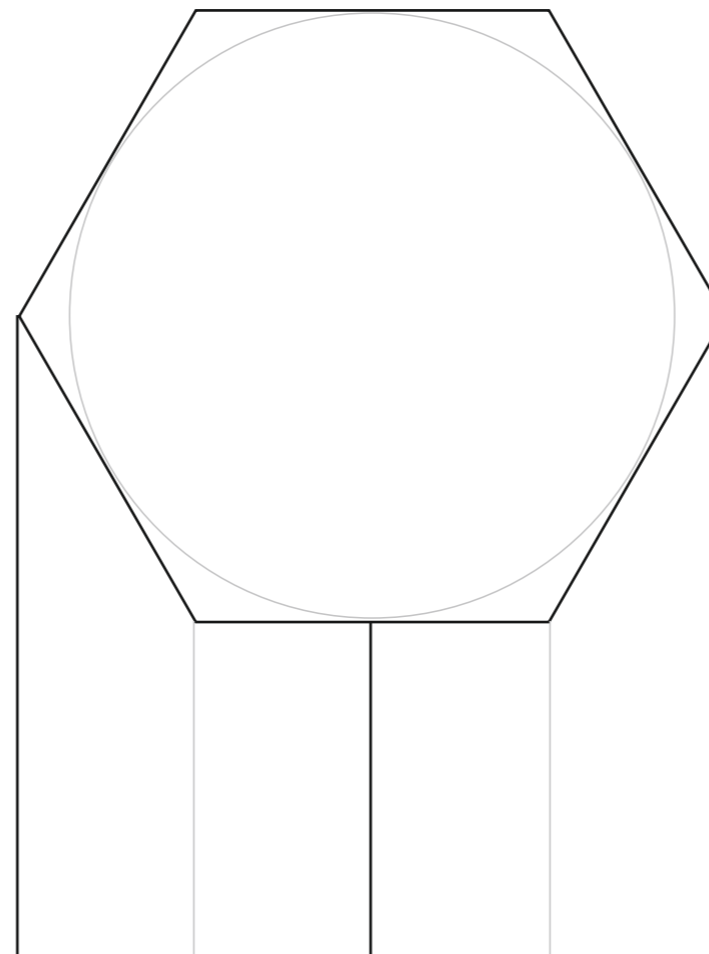
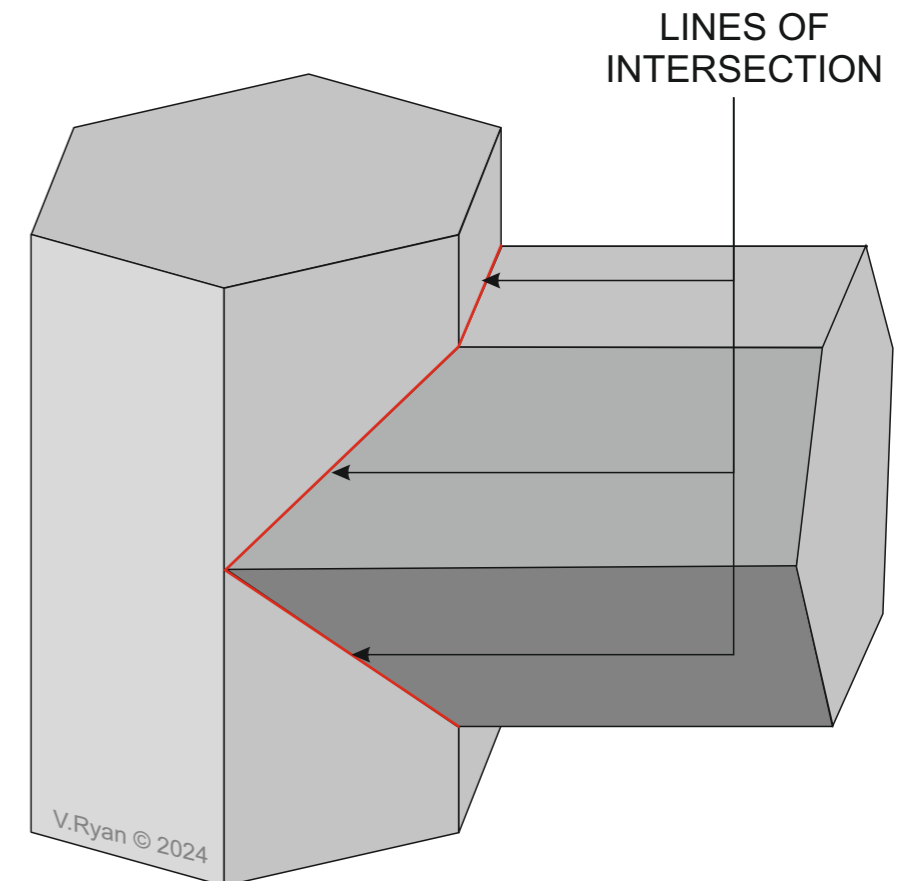


When two 'prisms' intersect, a line or lines of intersection' are created. These are clearly visible on an orthographic and 3D drawing.

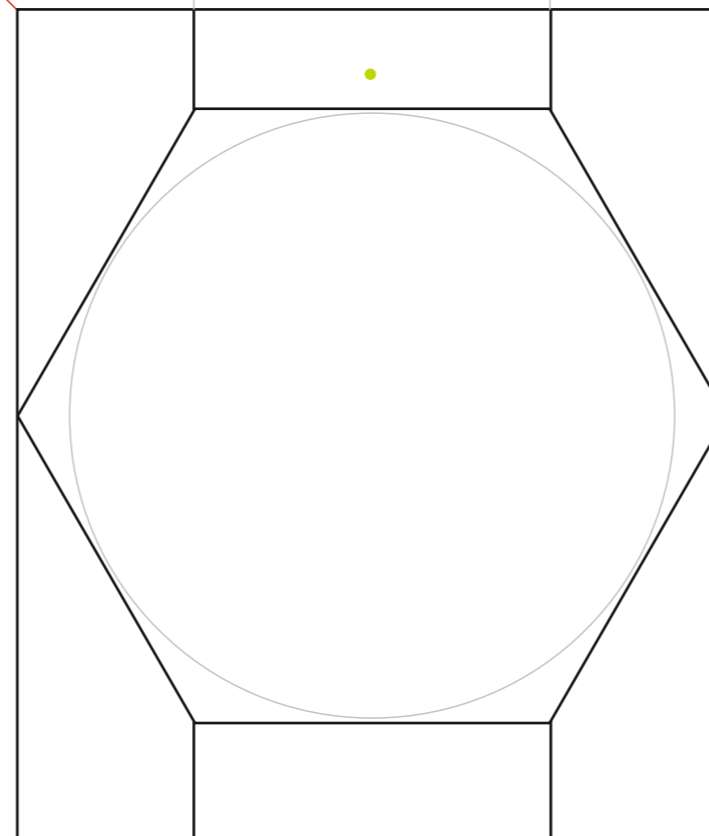
QUESTION

DRAW THE SIDE VIEW OF THE TWO INTERSECTING HEXAGONAL PRISMS. CLEARLY SHOW THE LINE(S) OF INTERSECTION.

3D VERSION



PLAN VIEW



FRONT VIEW

SIDE VIEW

INTERSECTIONS - CYLINDRICAL PRISMS

HELPFUL LINK: https://technologystudent.com/despro_3/inter3.html

HELPFUL LINK



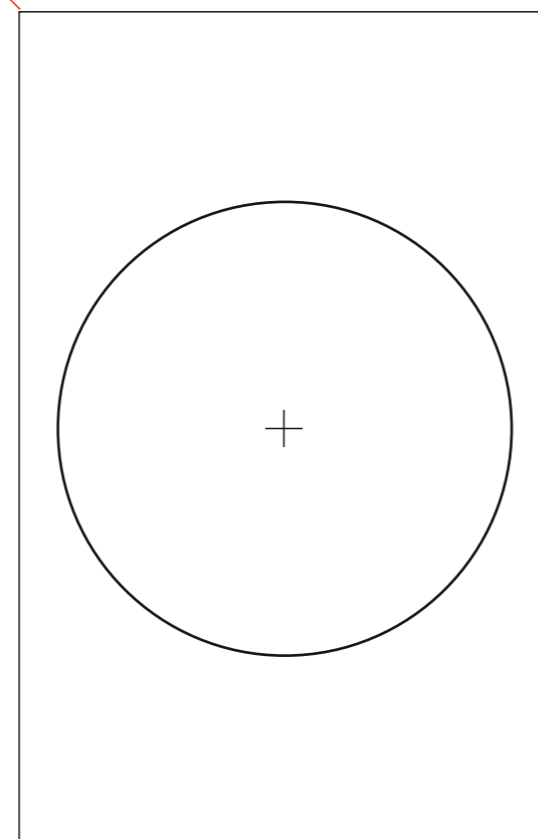
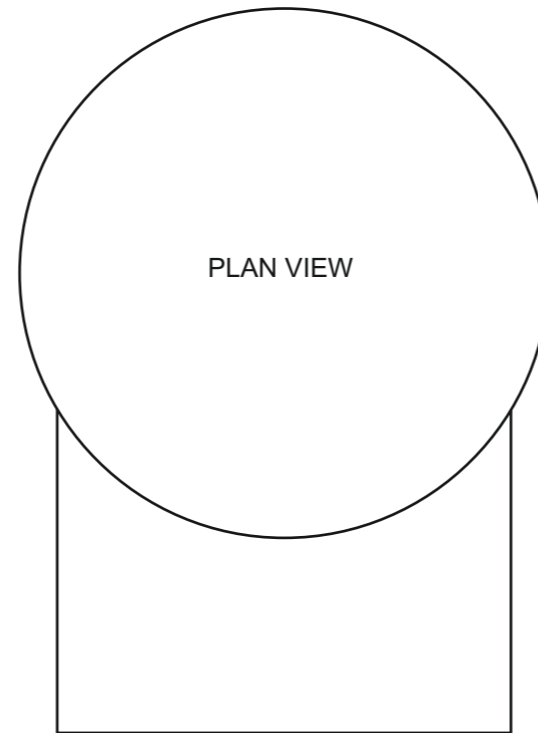
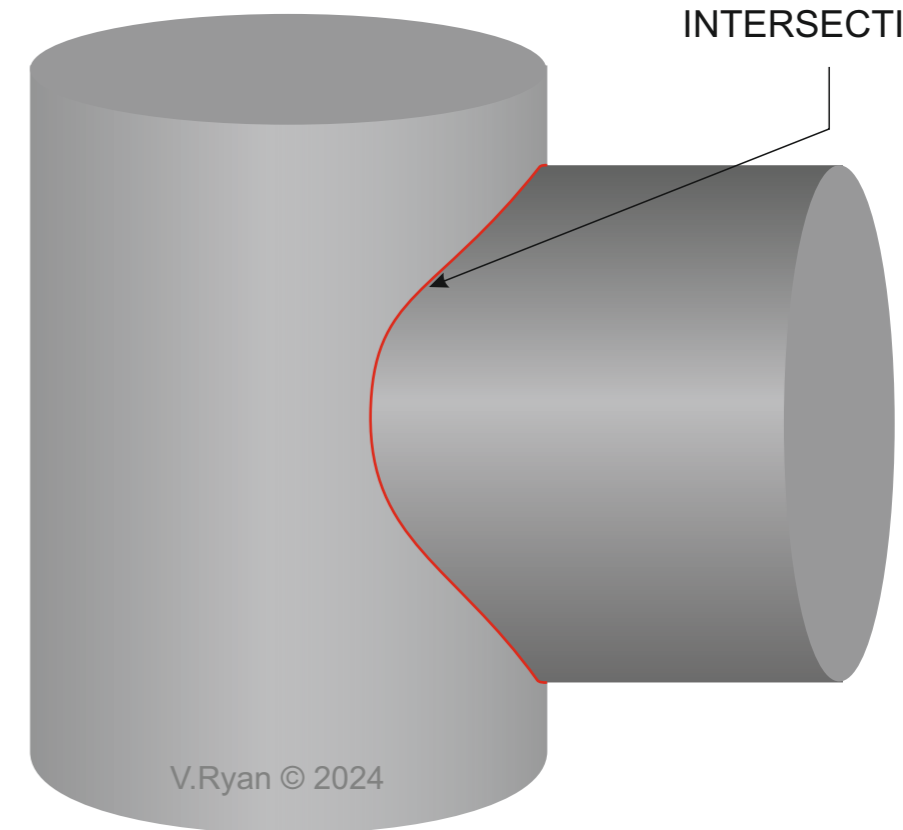
When two 'prisms' intersect, a line or lines of intersection' are created. These are clearly visible on an orthographic and 3D drawing.

QUESTION

DRAW THE SIDE VIEW OF THE TWO INTERSECTING CYLINDRICAL PRISMS. CLEARLY SHOW THE LINE(S) OF INTERSECTION.

3D VERSION

LINE OF INTERSECTION



SIDE VIEW

FRONT VIEW

INTERSECTIONS - OFFSET CYLINDRICAL PRISMS

HELPFUL LINK: https://technologystudent.com/despro_3/inter3.html

HELPFUL LINK

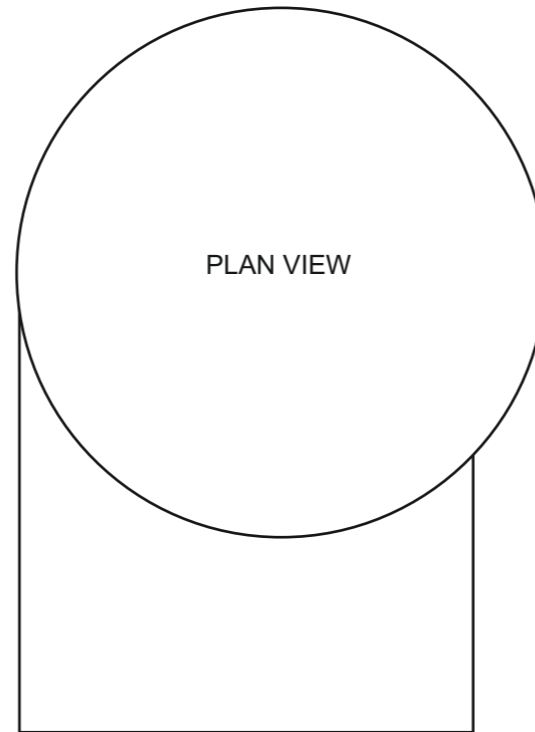
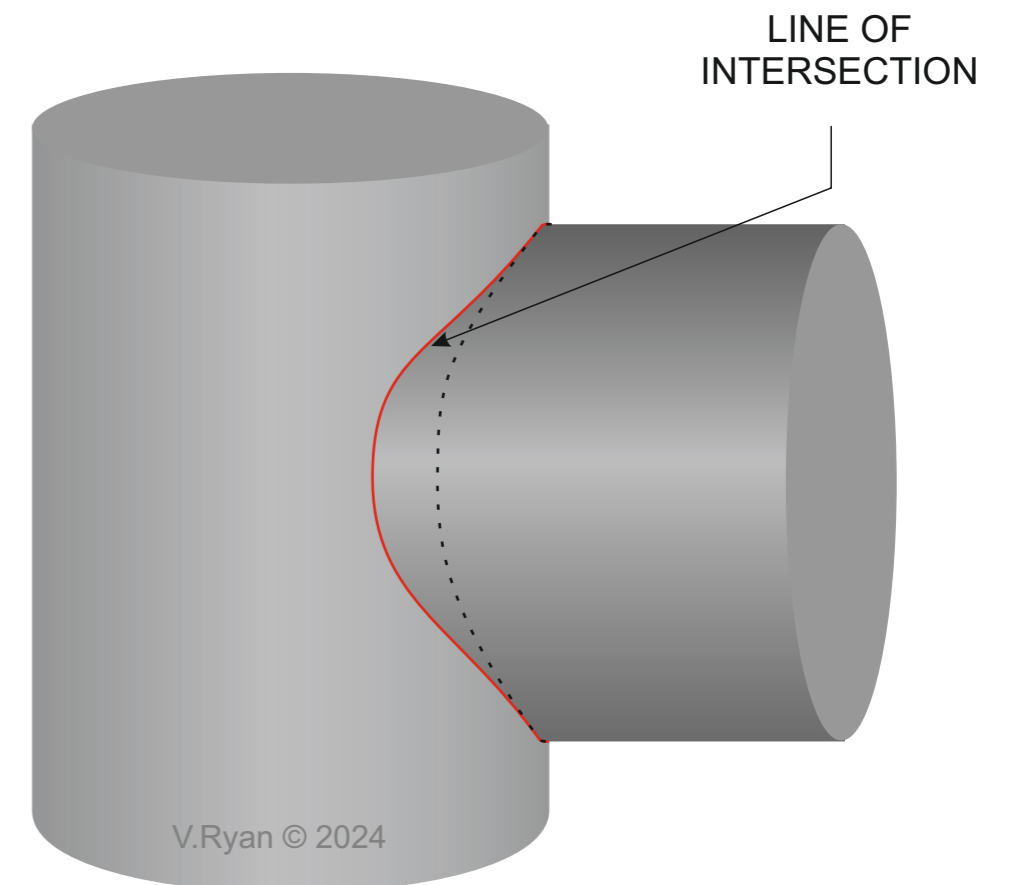


When two 'prisms' intersect, a line or lines of intersection' are created. These are clearly visible on an orthographic and 3D drawing.

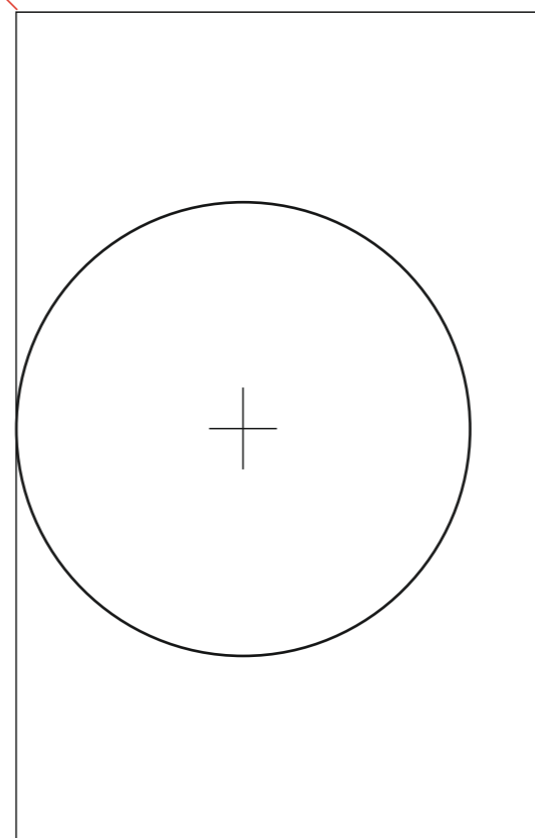
QUESTION

COMPLETE THE SIDE VIEW OF THE TWO INTERSECTING CYLINDRICAL PRISMS (ONE IS OFFSET). CLEARLY SHOW THE LINE(S) OF INTERSECTION.

3D VERSION



PLAN VIEW



FRONT VIEW

SIDE VIEW

CYLINDRICAL PRISM AND AN INCLINED CYLINDRICAL PRISM

HELPFUL LINK: https://technologystudent.com/despro_3/inter4.html

HELPFUL LINK

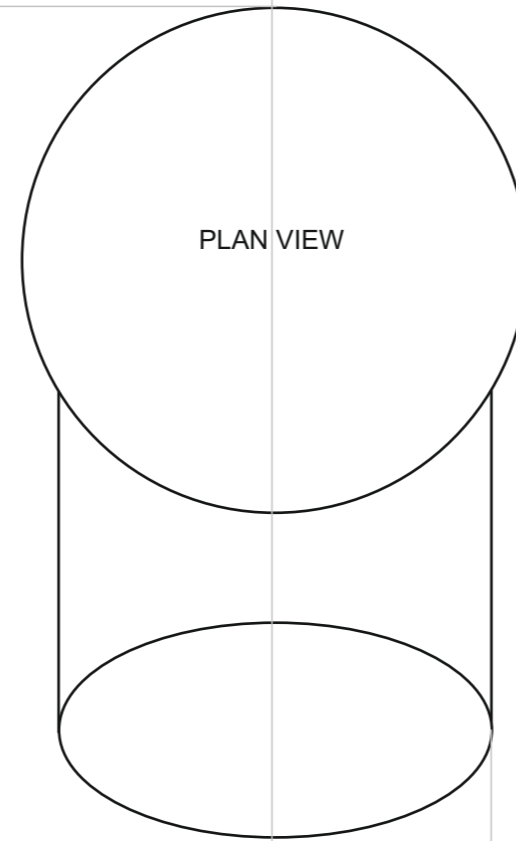
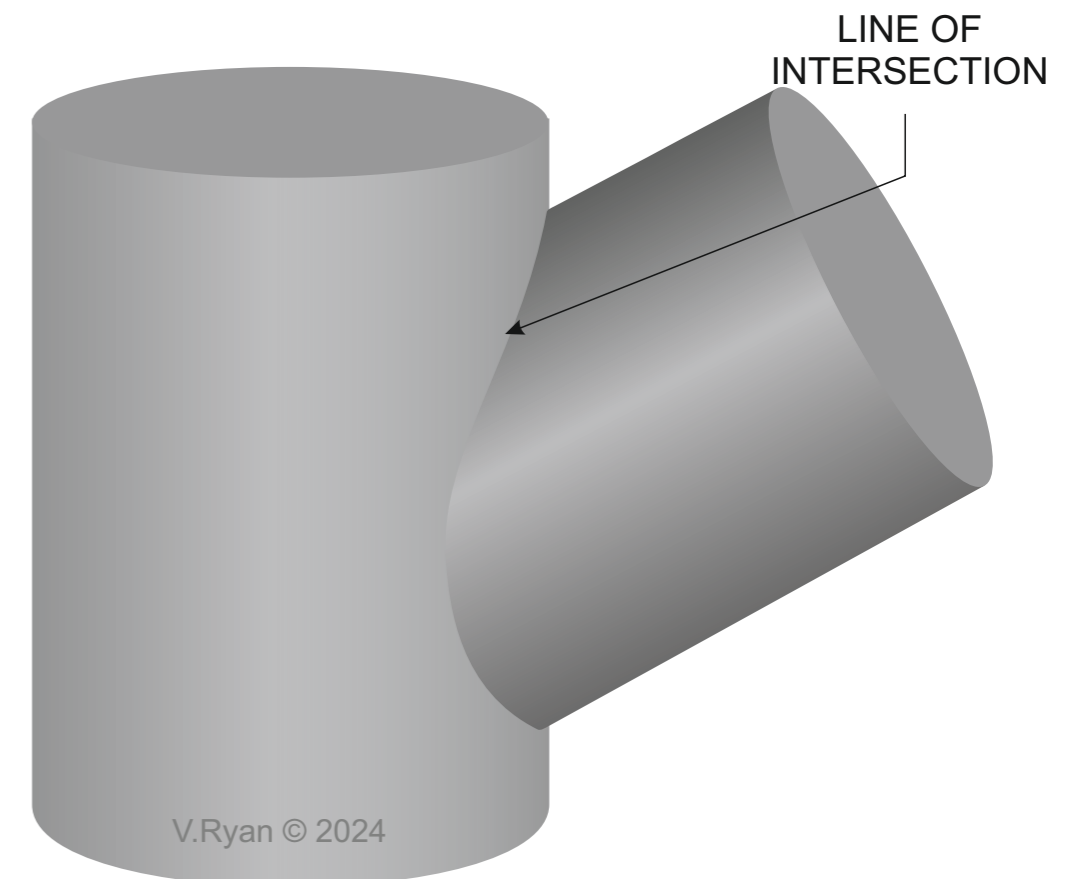


When two 'prisms' intersect, a line or lines of intersection' are created. These are clearly visible on an orthographic and 3D drawing.

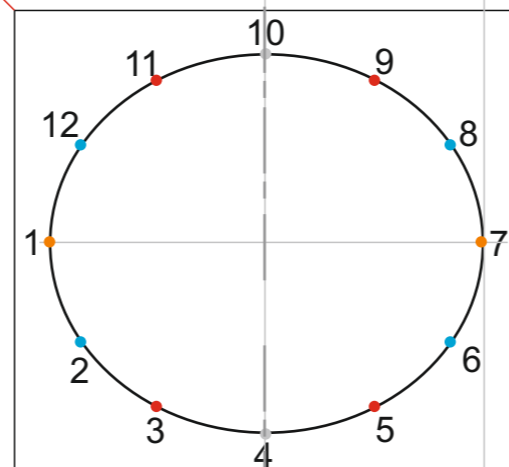
QUESTION

COMPLETE THE SIDE AND FRONT VIEWS OF THE TWO INTERSECTING CYLINDRICAL PRISMS. ONE OF THE CYLINDERS IS AT AN ANGLE OF 30 DEGREES (INCLINED). CLEARLY SHOW THE LINE(S) OF INTERSECTION.

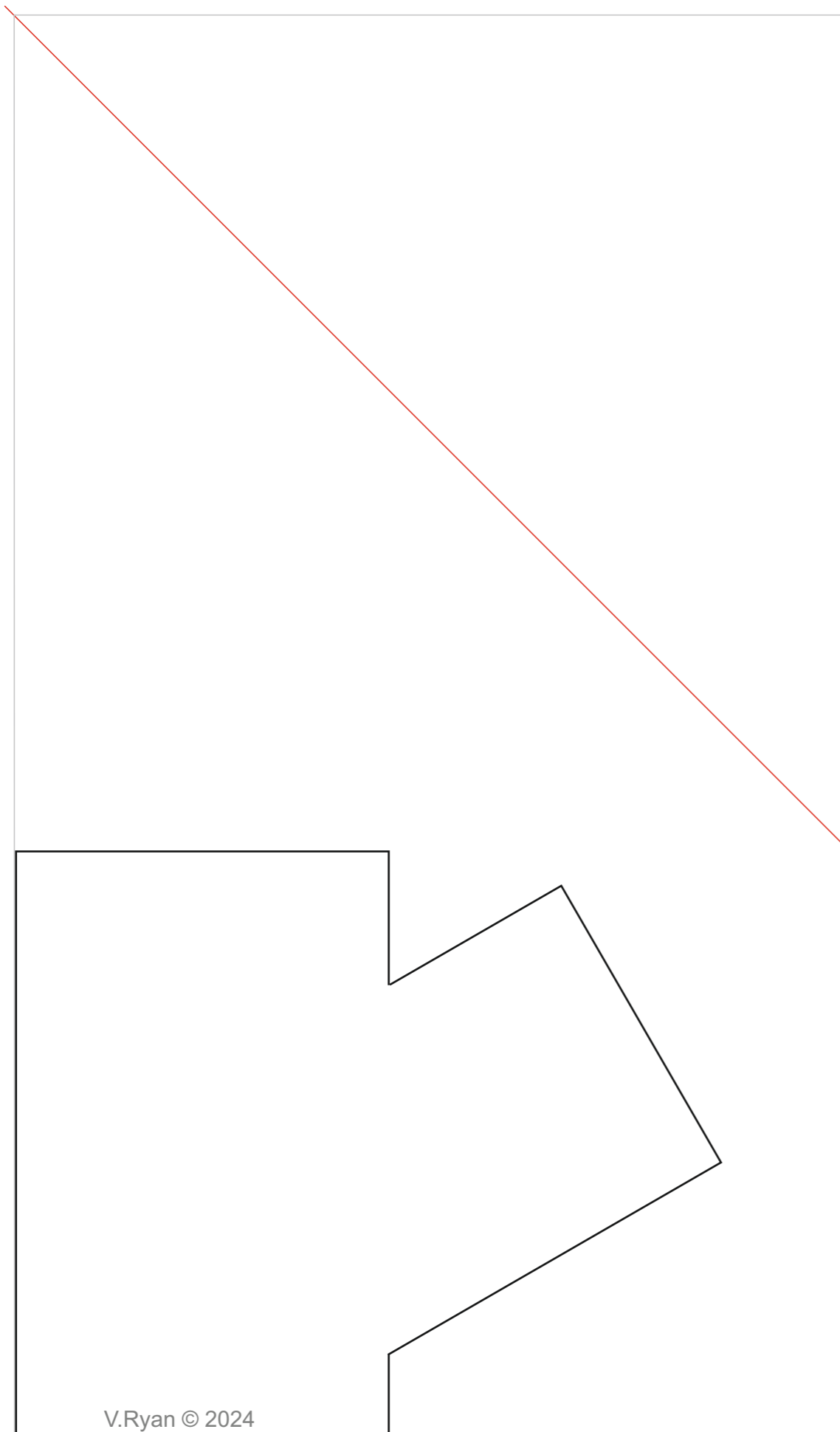
3D VERSION



PLAN VIEW



FRONT VIEW



SIDE VIEW